

C03 Overpressure Reverser

Serial 2226000

Centralized greasing systems » Reverser



Applications

- It is used for switching lines into double line lubrication systems of grease or oil

Features

- Steel body
- Annealed external surface protection
- Different possibilities of control
- Adjustable set pressure



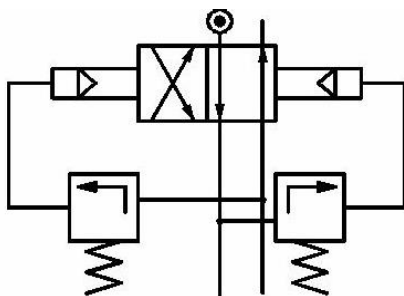
Description

The overpressure reversers are devices used to automatically switch the work line into double line lubrication systems. Once the set pressure is reached, the overpressure reverser will switch from one line to another.

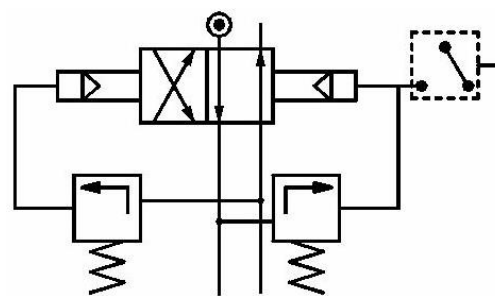
Design and operating principle

These overpressure reversers are mechanically actuated and specially designed for double line systems of medium length. Overpressure reverser works very similar to a two ways- two ports valve.

If the pressure in the work line reaches the set pressure, an internal overpressure valve will open and command a piston to actuate against the other two pistons, one of them will switch the work line.



Schematic drawing without control



Schematic drawing with control detector

Installation

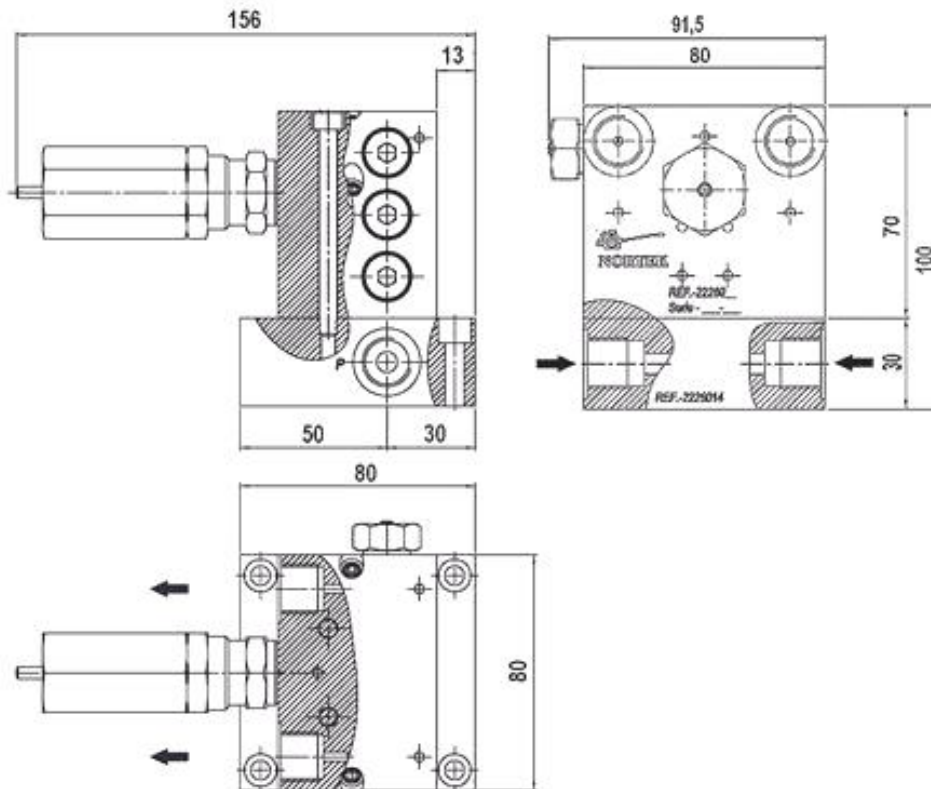
Unit in proper operation, It must be connected at the beginning of the installation, at the pump outlet.

Characteristics

Flow	3 kg/h
Maximum working pressure	300 bar
Minimum working pressure	40 bar
Inlet / Outlet connections	G 3/8" female (bspp)
Mounting position	Any
Weight without baseplate	2,5 kg
Weight with baseplate	3,9 kg
Dimensions without baseplate	156x70x80 mm
Dimensions with baseplate	156x100x80 mm
Qualities	Zinc protection ISO 2081 – Fe/Zn12/A

Dimensional drawing

Dimensions in mm



Ordering information

Description	Reference
With baseplate and visual control	2226010
Without baseplate and with visual control	2226000
With baseplate and limit switch control	2226011
Without baseplate and limit switch control	2226012
With baseplate and inductive proximity sensor control M14x1	2226013
Without baseplate and inductive proximity sensor control M14x1	2226015
With baseplate and inductive proximity sensor control M12x1	2226016
Without baseplate and inductive proximity sensor control M12x1	2226017

Accessories

Description	Reference
Visual control	2221111
Limit switch control	2221112
Inductive proximity sensor control M14x1	2221113
Inductive proximity sensor control M18x1	2221110
Inductive proximity sensor control M12x1	2221109