

End-Of-Line Switch

Series 2210800

Centralized grease systems » End-of-line switches



Applications

- Pressure control in dual-line grease or air/oil systems and switch over to the other line.

Features

- Pressure control via over-pressure inverter.
- Fixed setting pressure control.
- The switching mechanism is built in a robust steel housing

Description

The end-of-line controls are very important devices in a dual-line grease or air/oil system because they are the only component capable of detecting the correct operation of the pump and/or the circuit tubing and piping.

The end-of-line switch is directly linked to the proper operation of the lubrication cycle in a dual-line system.



Principle of operation and design

In the lubrication cycle the following operating sequence is produced, the pump by means of the electrovalve that controls the lubrication sends lubricant through line 1 and therefore by the end-of-line control, at the moment when the pressure in the piston (A) moves the rod (B) is displayed in the turret, when line 1 is decompressed and line 2 is pressurized, the process is reversed, the rod is hidden.

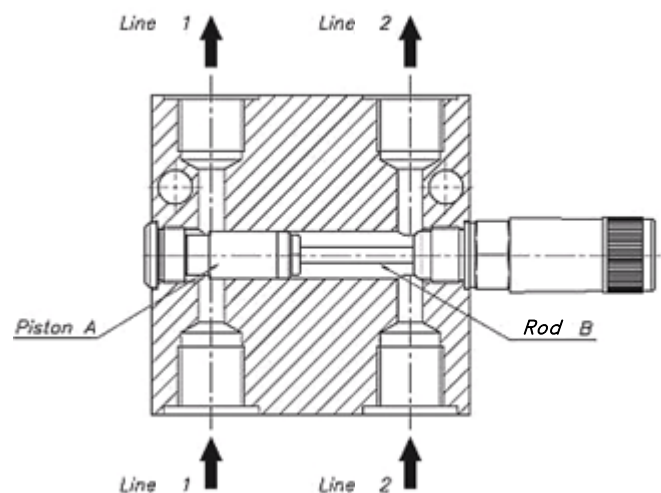
This model comes with a pressure gauge and a pressure switch to regulate the pressure.

The final line control allows to send an alarm signal or to lock the machine when the pressure reaches the preset value.

Installation

For proper operation of a dual-line grease or air/oil system, the end-of-line pressure switch needs to be installed at the end of line, before the last grease or air/oil block. This insures that there is always grease or oil passing through the end-of-line switch.

Picture about Principle of operation

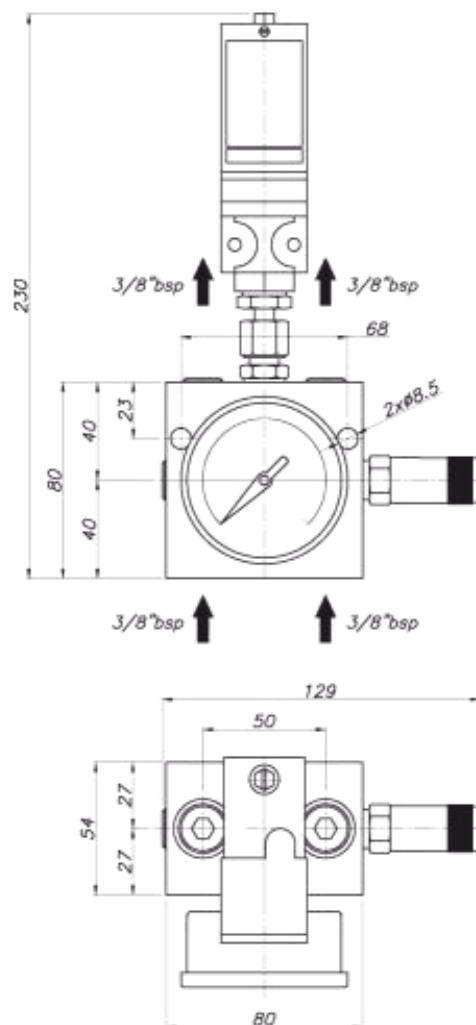


Specifications

Pressure switch	Nortek Ref. 2062027	10 – 160 bar
Pressure gauge	Nortek Ref. 2032731	0 – 250 bar
Regulation Pressure	Max. 160 kg/cm ²	
Temperature	- 25 °C + 70 °C	
Weight	3,4 kg	
Qualities	Galvanized ISO 2081 – Fe/Zn12/A	

Dimensional drawing

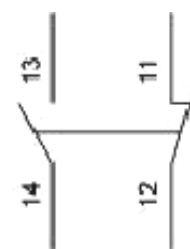
Dimensions in mm



Technical Information and Electrical Connection Diagram:

Contacts	:	1NC +1NA
Electrical Protection	:	IP66 in order to EN/IEC 60068-2-6
Intensity	:	AC 15 240 V 1.5 A in order to EN/IEC 60947-5-1
Shut off Power	:	6 KV to 500 V
Cable Inlet	:	Pg 13.5
Electrical Standard	:	IEC/EN 60947-5-1 EN - 50047
Frecuency	:	50/60 Hz
Connection	:	On terminals, bolts with safety pins
Certifications	:	EAC UL LROS CSA BV CCC

XMLA



Information to order

Specifications

End-of-line switch

Reference

2210800